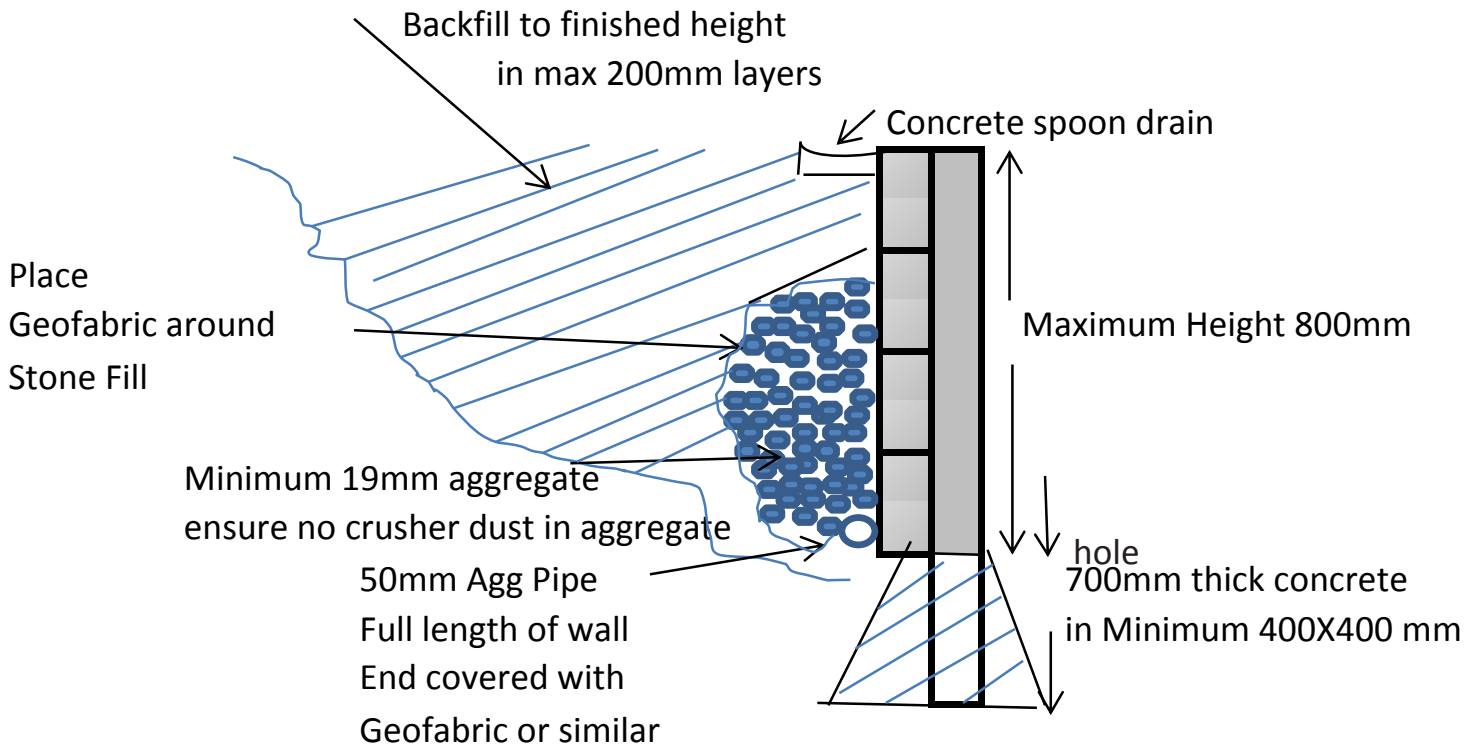


Durawall Installation Detail

Sleepers are manufactured in concrete with a wood grain pattern on face. Each sleeper has two (2) bars of steel held in place by an in house manufactured PLA plastic hanger ensuring correct placement of reinforcing.



NOTES:

Aggregate and backfill placed as each sleeper is positioned behind post.

Do not use mechanical compaction equipment within 300mm of back of wall.

Ensure top of fill has a slope towards wall to promote water runoff.

Best practise is a spoon drain to shed water away from sleeper face.

CONCRETE SLEEPER 1500mmLX200mmHX60mm Thick